

Visible through hoistway wall. Finish by customer prior to install.

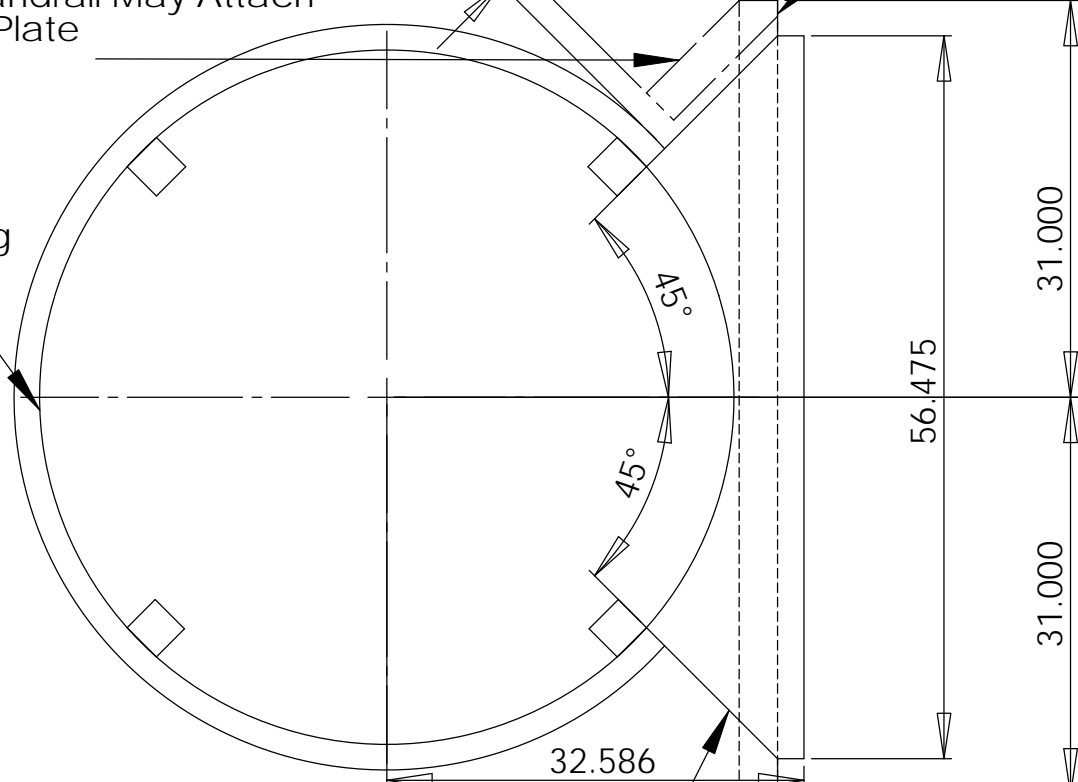
<p>PROPRIETARY AND CONFIDENTIAL</p> <p>THE INFORMATION CONTAINED IN THIS DRAWING IS THE SOLE PROPERTY OF <INSERT COMPANY NAME HERE>. ANY REPRODUCTION IN PART OR AS A WHOLE WITHOUT THE WRITTEN PERMISSION OF <INSERT COMPANY NAME HERE> IS PROHIBITED.</p>			<p>DIMENSIONS ARE IN INCHES</p> <p>TOLERANCES:</p> <p>FRACTIONAL ±</p> <p>ANGULAR: MACH ± BEND ±</p> <p>TWO PLACE DECIMAL ±</p> <p>THREE PLACE DECIMAL ±</p>		NAME	DATE	<p>Nationwide Lifts</p> <p>Balcony Clearance</p>
					DRAWN		
					CHECKED		
					ENG APPR.		
					MFG APPR.		
				Q.A.			
				COMMENTS:			
	NEXT ASSY	USED ON	FINISH				
	APPLICATION		DO NOT SCALE DRAWING				
				SIZE	DWG. NO.	REV.	
				A			
				SCALE: 1:25	WEIGHT:	SHEET 1 OF 1	

Approximate Final Handrail By Customer. NOTE: Cantilever Handrail Does Not Attach To Elevator! Handrail May Attach to Balcony Plate

Balcony Ring by Visilift

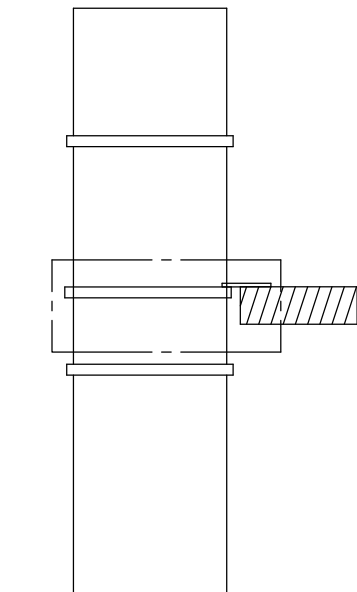
Approx. 1.50

Balcony Edge



Balcony Plate by Visilift

Roughed in Handrail by Customer
Approximate Location

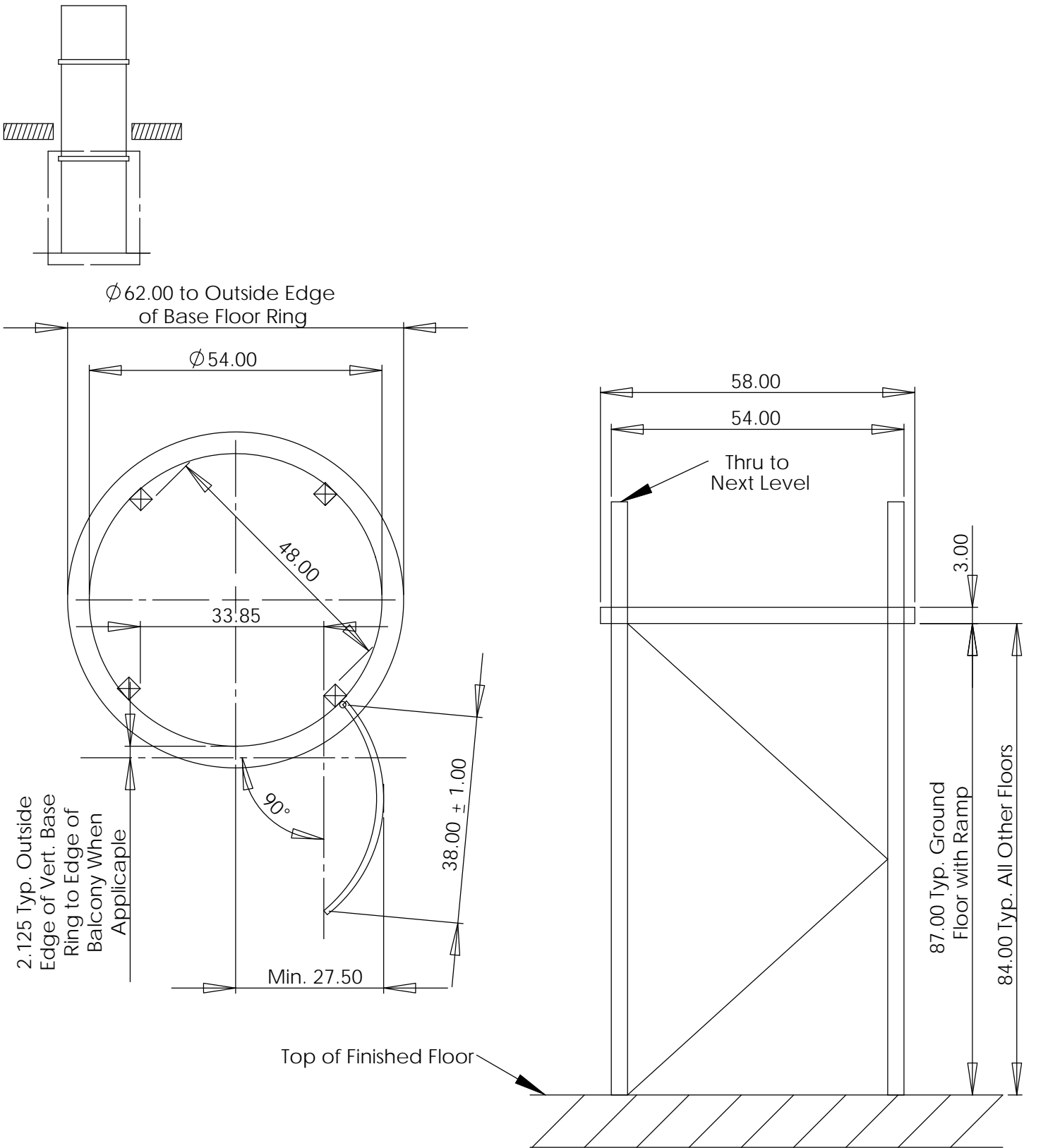


PROPRIETARY AND CONFIDENTIAL
THE INFORMATION CONTAINED IN THIS DRAWING IS THE SOLE PROPERTY OF <INSERT COMPANY NAME HERE>. ANY REPRODUCTION IN PART OR AS A WHOLE WITHOUT THE WRITTEN PERMISSION OF <INSERT COMPANY NAME HERE> IS PROHIBITED.

		DIMENSIONS ARE IN INCHES TOLERANCES: FRACTIONAL ± ANGULAR: MACH ± BEND ± TWO PLACE DECIMAL ± THREE PLACE DECIMAL ±
		MATERIAL
		FINISH
NEXT ASSY	USED ON	
APPLICATION		DO NOT SCALE DRAWING

	NAME	DATE
	DRAWN	
	CHECKED	
	ENG APPR.	
	MFG APPR.	
	Q.A.	
COMMENTS:		

Nationwide Lifts		
Balcony Plate and Handrail Clearance		
SIZE A	DWG. NO.	REV.
SCALE:1:15	WEIGHT:	SHEET 1 OF 1



2.125 Typ. Outside Edge of Vert. Base Ring to Edge of Balcony When Applicable

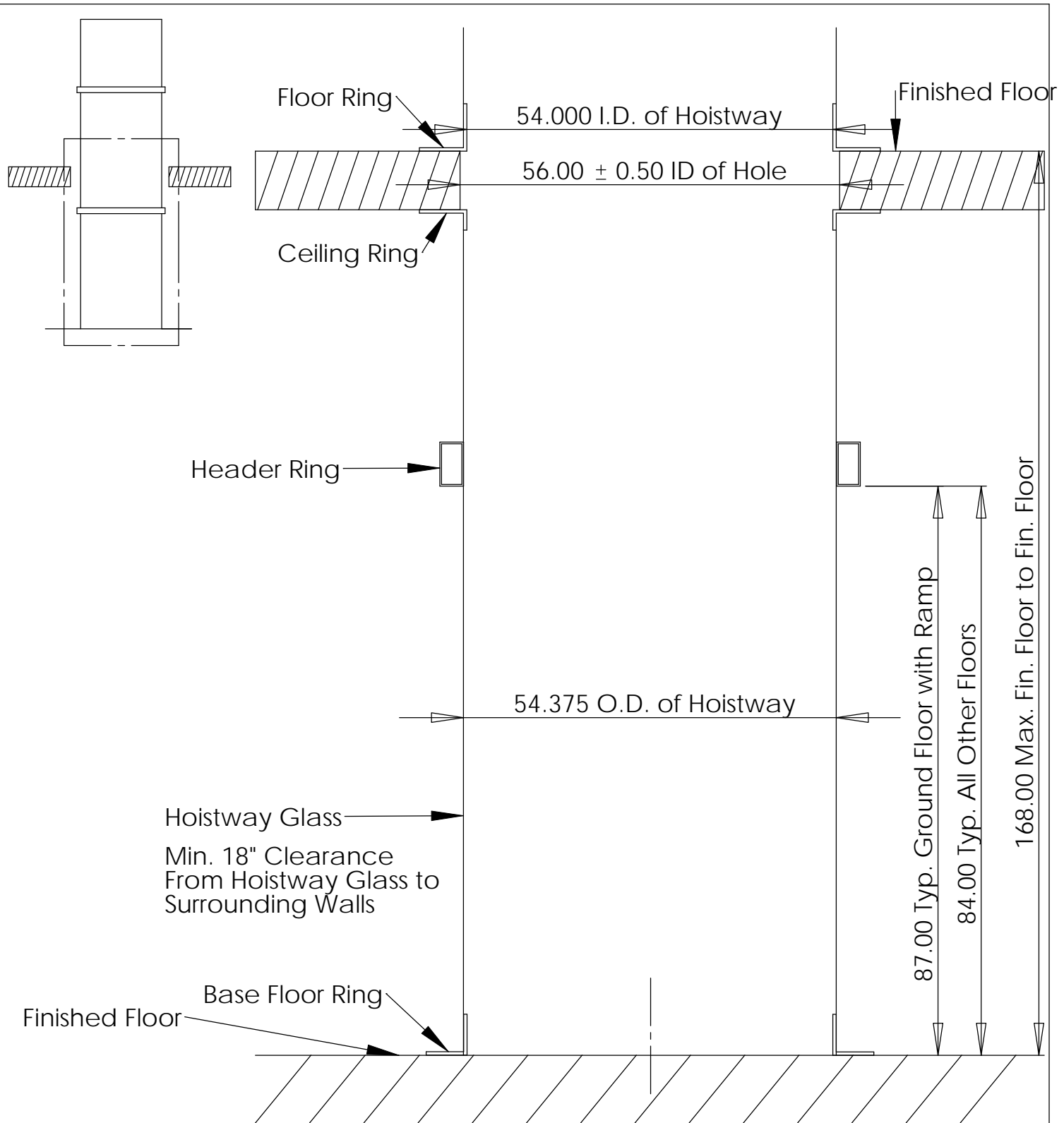
Top of Finished Floor

PROPRIETARY AND CONFIDENTIAL
 THE INFORMATION CONTAINED IN THIS DRAWING IS THE SOLE PROPERTY OF <INSERT COMPANY NAME HERE>. ANY REPRODUCTION IN PART OR AS A WHOLE WITHOUT THE WRITTEN PERMISSION OF <INSERT COMPANY NAME HERE> IS PROHIBITED.

		DIMENSIONS ARE IN INCHES TOLERANCES: FRACTIONAL ± ANGULAR: MACH ± BEND ± TWO PLACE DECIMAL ± THREE PLACE DECIMAL ±
		MATERIAL
NEXT ASSY	USED ON	FINISH
APPLICATION		DO NOT SCALE DRAWING

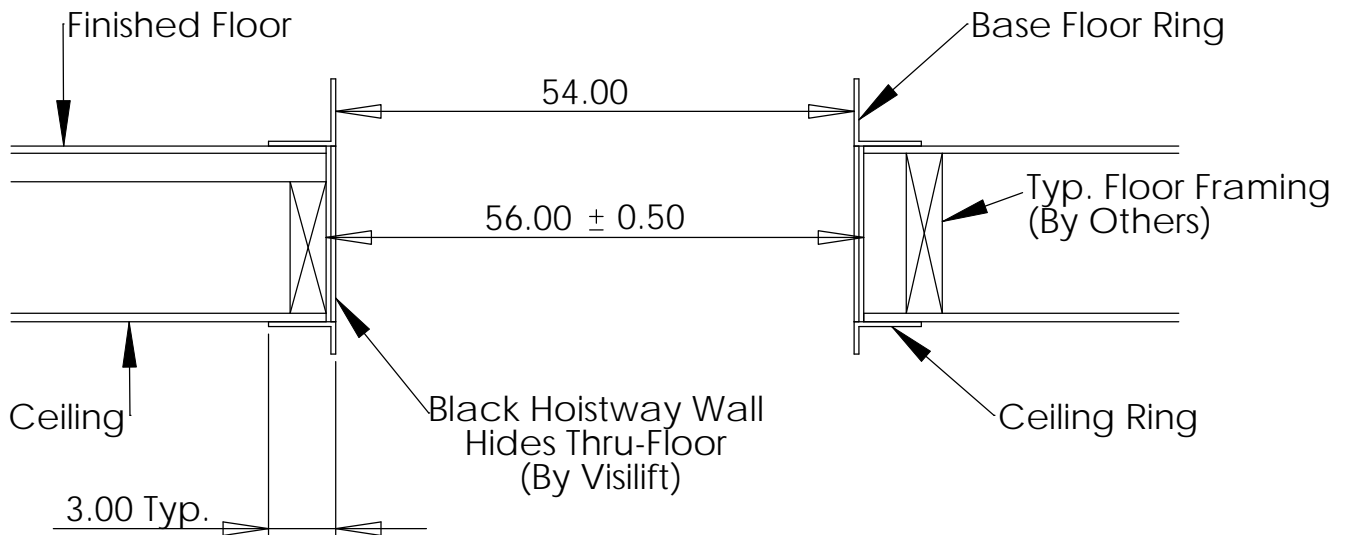
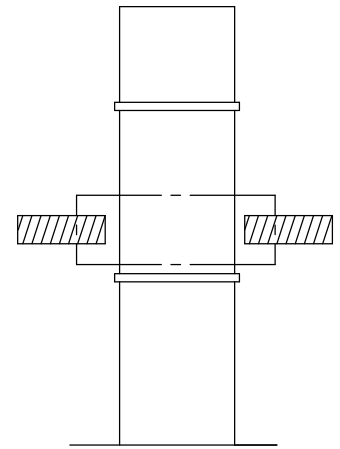
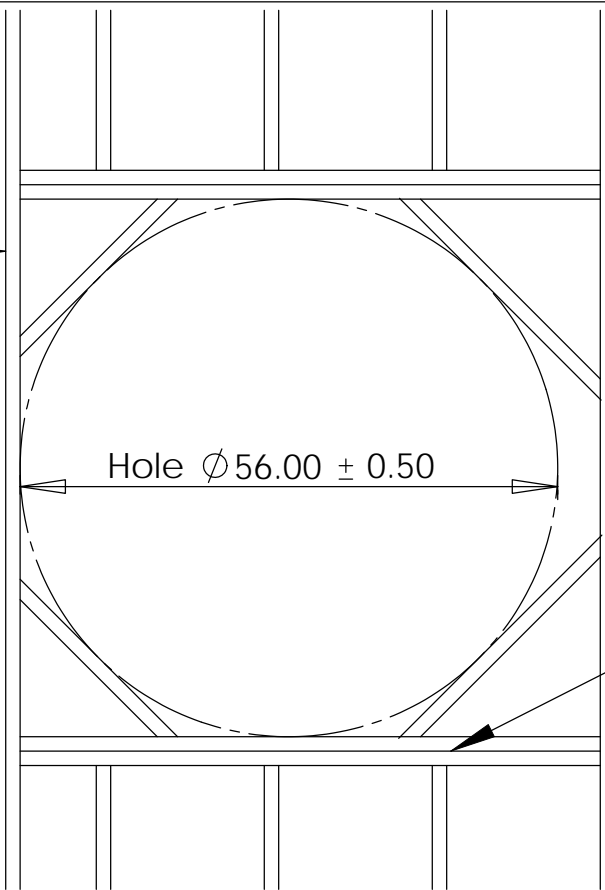
	NAME	DATE
	DRAWN	
	CHECKED	
	ENG APPR.	
	MFG APPR.	
	Q.A.	
COMMENTS:		

Nationwide Lifts		
SIZE A	DWG. NO. Door Opening	REV.
SCALE: 1:25	WEIGHT:	SHEET 1 OF 1



PROPRIETARY AND CONFIDENTIAL THE INFORMATION CONTAINED IN THIS DRAWING IS THE SOLE PROPERTY OF <INSERT COMPANY NAME HERE>. ANY REPRODUCTION IN PART OR AS A WHOLE WITHOUT THE WRITTEN PERMISSION OF <INSERT COMPANY NAME HERE> IS PROHIBITED.			DIMENSIONS ARE IN INCHES TOLERANCES: FRACTIONAL ± ANGULAR: MACH ± BEND ± TWO PLACE DECIMAL ± THREE PLACE DECIMAL ±		NAME	DATE	Nationwide Lifts Header Ring Location and Side View	
					DRAWN			
					CHECKED			
					ENG APPR.			
					MFG APPR.			
				Q.A.				
				COMMENTS:				
	NEXT ASSY	USED ON	FINISH				SIZE A DWG. NO. _____ REV. _____	
	APPLICATION		DO NOT SCALE DRAWING				SCALE: 1:20 SHEET 1 OF 1	

- Structural Design by Others
- Typical Floor Framing (By Others)



PROPRIETARY AND CONFIDENTIAL
 THE INFORMATION CONTAINED IN THIS DRAWING IS THE SOLE PROPERTY OF <INSERT COMPANY NAME HERE>. ANY REPRODUCTION IN PART OR AS A WHOLE WITHOUT THE WRITTEN PERMISSION OF <INSERT COMPANY NAME HERE> IS PROHIBITED.

		DIMENSIONS ARE IN INCHES TOLERANCES: FRACTIONAL ± ANGULAR: MACH ± BEND ± TWO PLACE DECIMAL ± THREE PLACE DECIMAL ±		NAME	DATE
		MATERIAL			
		FINISH			
NEXT ASSY	USED ON				
APPLICATION		DO NOT SCALE DRAWING			

DRAWN		
CHECKED		
ENG APPR.		
MFG APPR.		
Q.A.		
COMMENTS:		

Nationwide Lifts		
Round Hole in Finished Floor		
SIZE A	DWG. NO. Round Hole in Finished Floor	REV. 11/30/2009
SCALE:1:20	WEIGHT:	SHEET 1 OF 1