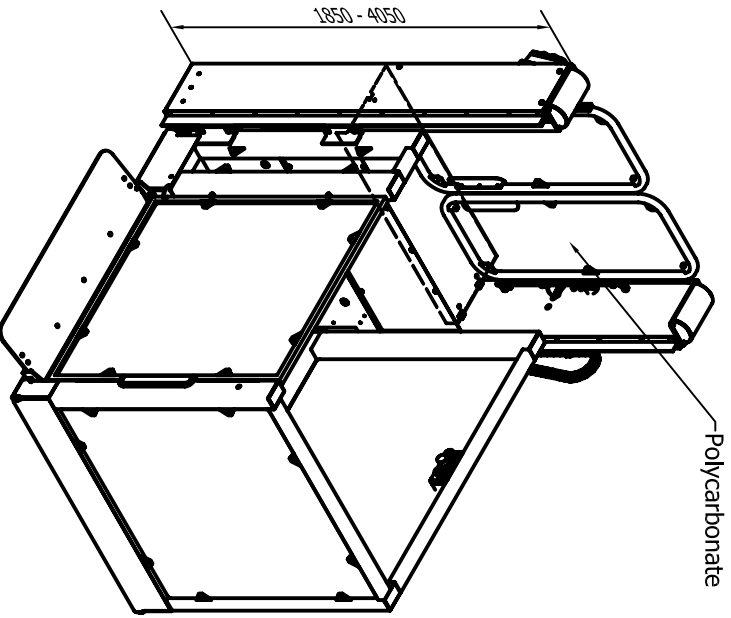


(1 : 20)



Polycarbonate

Clearances

"A"
Horizontal distance to adjacent surface
100mm if smooth, 325mm if irregular

Anchors

Horizontal & Vertical 2 minimum (see installation information) for further details of substrate requirements and type

Platform floor finish

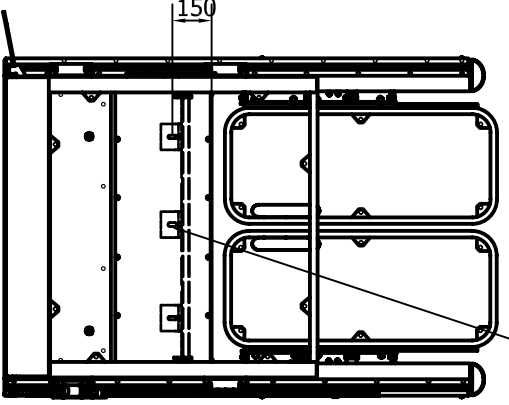
Standard - Aluminium chequer plate
Option - Altro walking 20

Electrical supply (Main switch)

1ph L, N, PE, 3x2,5mm² 16A

Technical Data

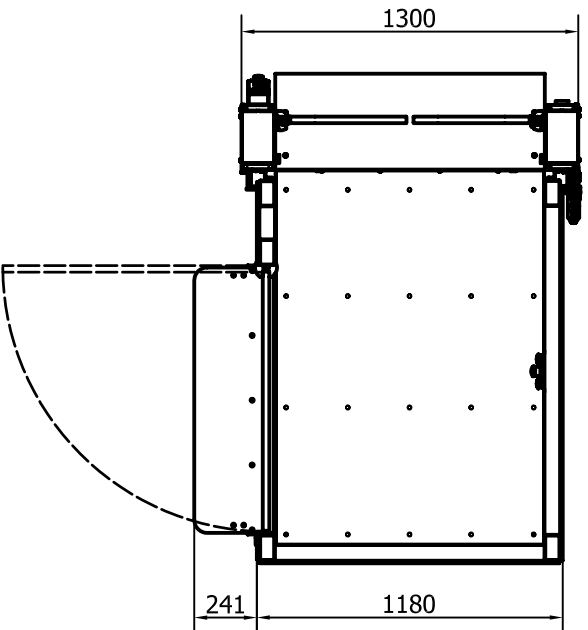
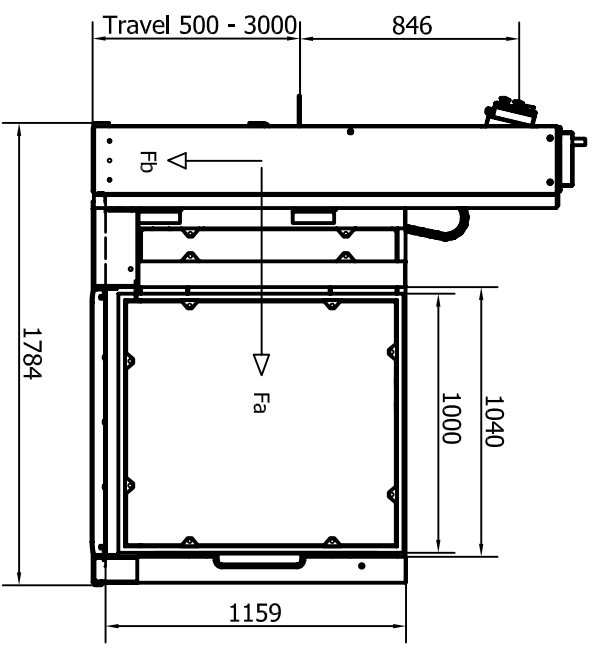
Rated capacity: 300kg / 2 person
Speed: 0,08m / s
Drive: 2,5kW Electrical motor / Belt drive
Electrical Connection: Single phase, 3x2,5mm²
Control voltage: 24Volts
Soft start / Stop by frequency inverter
Drive system: Screw / Nut, dubble



Fix Points

HORIZONTAL FORCES	
Fixing height mm	Total Anchor Force Fa, kN
400	21,5
600	17
800	14,5
1000	11,0
1200	8,5
1400	7,5
1600	6,5
1800	5,5
2000	4,5
2200	4
2400	3,5
2600	3,25
2800	3,0

Fb= Vertical force of 10kN spread over area of 1300mm x 250mm



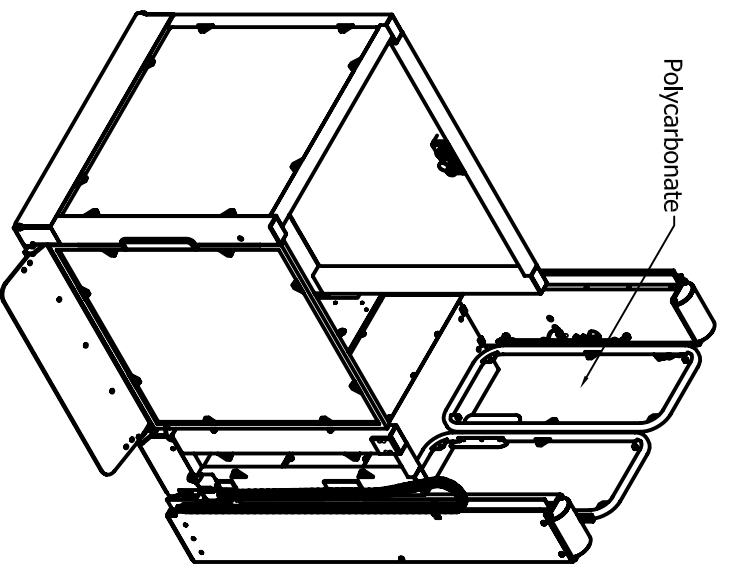
Designed by	Checked by	Approved by	Date	Date
Markku				2013-10-01

MPPR Lifts AB

Strategos Side Access Door left side

3094

Edition 1 / 1
Sheet 1 / 1



Polycarbonate

Clearances

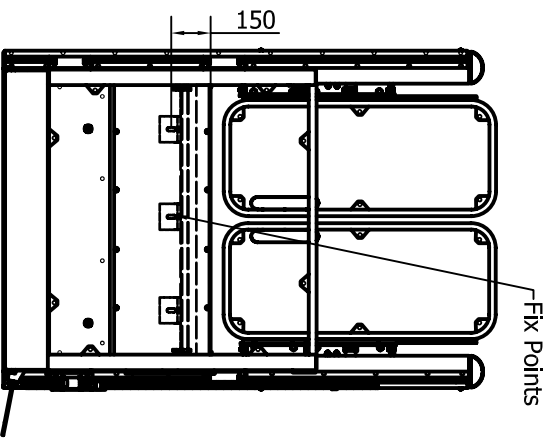
"A"
Horizontal distance to adjacent surface
100mm if smooth, 325mm if irregular

Anchors
Horizontal & Vertical 2 minimum (see installation information) for
further details of substrate requirements and type

Platform floor finish
Standard - Aluminium chequer plate
Option - Altro walking 20

Electrical supply (Main switch)
1ph L, N, PE, 3x2,5mm² 16A

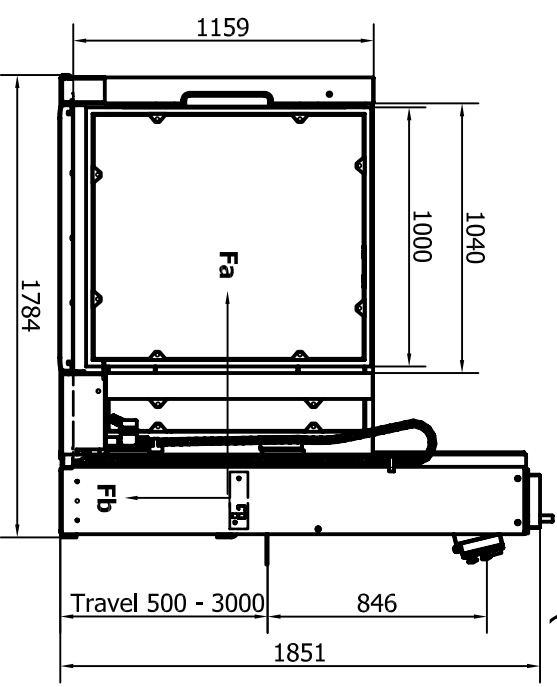
Technical Data
Rated capacity: 300kg / 2 person
Speed: 0,08m / s
Drive: 2,5kW Electrical motor / Belt drive
Electrical Connection: Single phase, 3x2,5mm²
Control voltage: 24Volts
Soft start / Stop by frequency inverter
Drive system: Screw / Nut, dubble



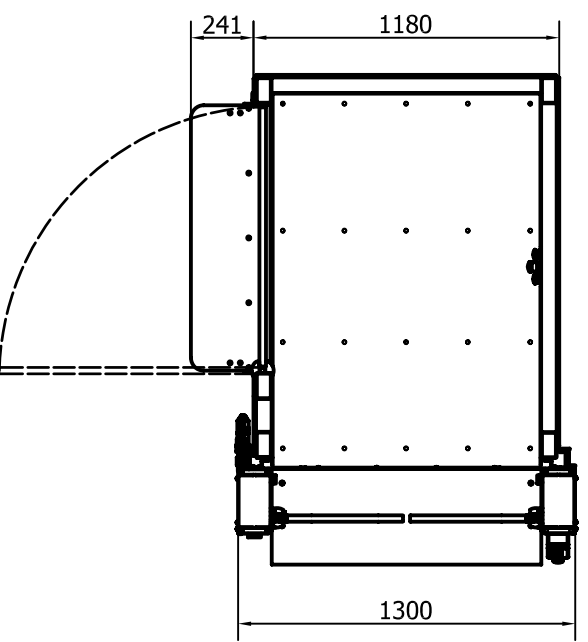
Fix Points

HORIZONTAL FORCES	
Fixing height mm	Total Anchor Force Fa, kN
400	21,5
600	17
800	14,5
1000	11,0
1200	8,5
1400	7,5
1600	6,5
1800	5,5
2000	4,5
2200	4
2400	3,5
2600	3,25
2800	3,0

Fb = Vertical force of 10kN spread
over area of 1300mm x 250mm



(1 : 20)



Designed by	Checked by	Approved by	Date	Date	A3
				2013-10-01	

MPR LIFTS AB

Strategos Side Access Door right side

3095

Edition 1 / 1
Sheet 1 / 1