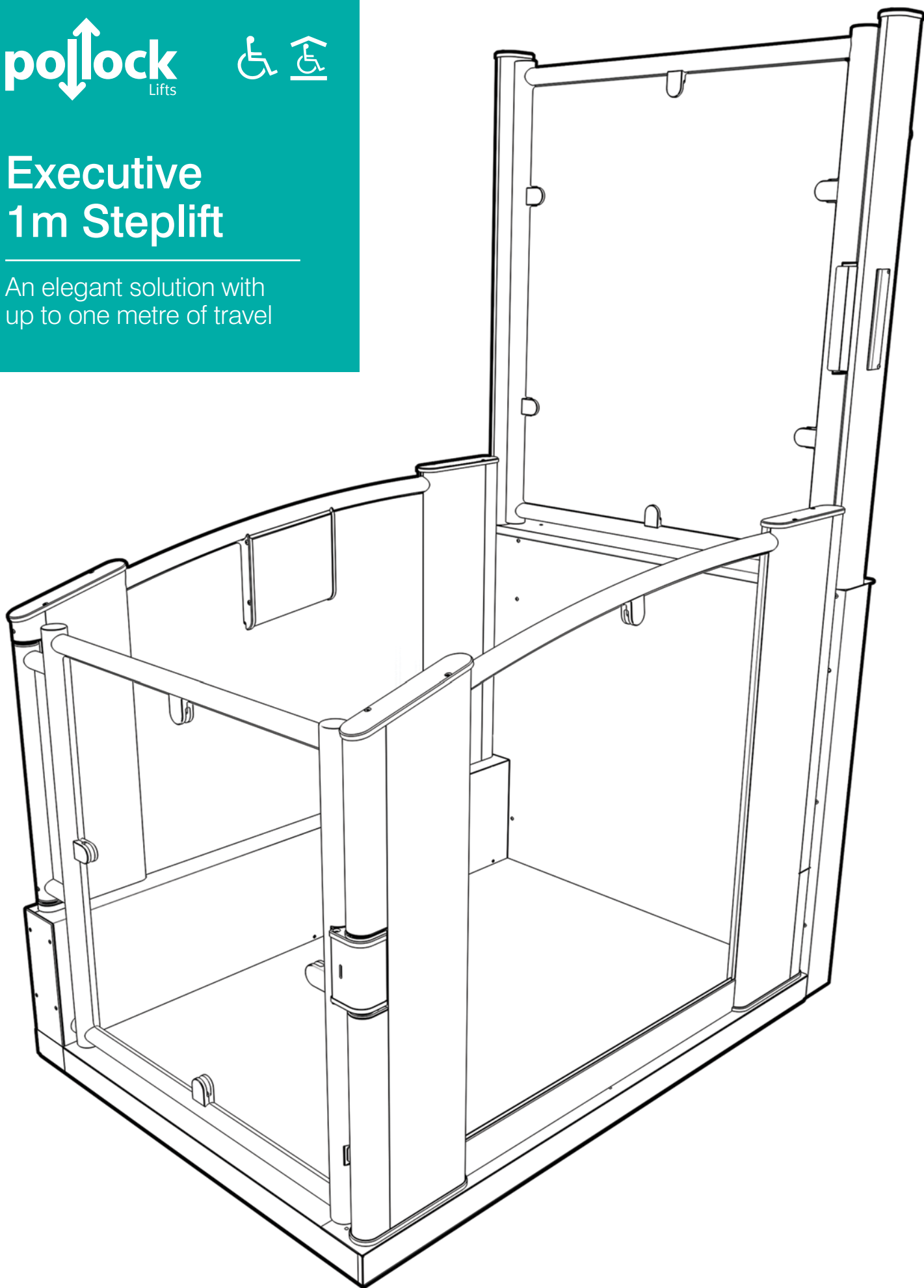


**pojlock**  
Lifts



## Executive 1m Steplift

An elegant solution with  
up to one metre of travel



A new level of access

# Executive 1m Steplift

The new Executive 1metre Steplift boasts a smaller footprint along with an increased load capacity - now capable of lifting 280kg to a maximum of 1m between two floors.

With increased clear access, the hydraulically driven, scissor based platform is suitable for both internal and external environments. Functional yet uber-stylish, our Executive 1m Steplift will complement any modern space, moving quietly between floors to provide safe and reliable access. Further key features include an on-board drive and powered upper and lower gates combined with the on-board ramp (no pit).

---

<b>New model</b>	<b>Battery operation</b>
<b>Smaller footprint</b>	<b>Higher carrying capacity</b>

---

## ► Features

- Pump unit is integrated within the lift offering reduced vandalism risk
- No need for separate control unit or pump location
- Easy access to pump for servicing
- Easier and faster to install
- Simpler to use
- More compact
- New stylish protective bellows - more rigid/durable
- Improved IP 67 rated switching (waterproof) with easy service access
- Easy to use emergency lowering system
- 1 day installation - minimal builders work
- Can be relocated
- Low maintenance
- Aluminium checker plate flooring

## ► Sectors

 Public Access

 At Home

## ► Platform Sizes

800 x 1400mm

---

900 x 1400mm

---

1100 x 1400mm

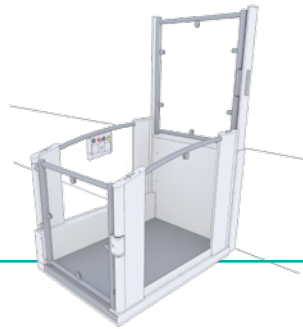
---

## ► Options

- |                 |                                    |
|-----------------|------------------------------------|
| Gate            | ■ Automatic upper gate             |
|                 | ■ Automatic lower gate             |
|                 | ■ On board ramp                    |
|                 | ■ Auto closers                     |
| Controls        | ■ Full braille controls            |
|                 | ■ Autodialler                      |
|                 | ■ Alarm                            |
|                 | ■ Keypad                           |
|                 | ■ Keypad isolation                 |
|                 | ■ Remote controls                  |
|                 | ■ Full ambulant user controls      |
| Finish          | ■ Full controls at serviced floors |
|                 | ■ Handrails                        |
|                 | ■ Coloured safety flooring         |
|                 | ■ Silicon acrylic infill panels    |
|                 | ■ Aluminium infill panels          |
| ■ Custom colour |                                    |

## > Configurations

### Through Entry

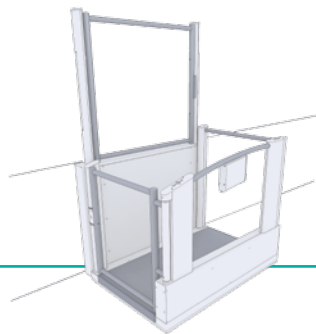


All measurements are in millimetres (mm)

Internal Dims	External Dims	
Models	Ramp <sup>1</sup> /No Upper	Ramp & Upper
800*1400	980 x 1700	980 x 1810
900*1400	1080 x 1700	1080 x 1810
1100*1400	1280 x 1700	1280 x 1810

<sup>1</sup> Ramp can be on board, or fixed at the lower level. Fixed is 15mm shorter. Ramp dimensions incorporate a lower gate.

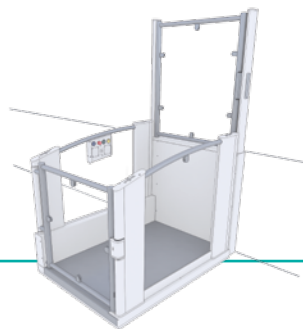
### Adjacent Entry/Exit



Internal Dims	External Dims	
Models	Ramp/No Upper	Ramp & Upper
1100*1400	1280 x 1700	1390 x 1700

<sup>1</sup> Ramp can be on board, or fixed at the lower level. Ramp dimensions incorporate a lower gate.

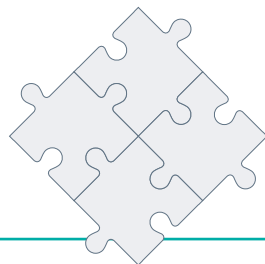
### Pit Mounted



Internal Dims	External Dims	
Models	Lower/No Upper	Lower & Upper
800*1400	980 x 1445	980 x 1555
900*1400	1080 x 1445	1080 x 1555
1100*1400	1280 x 1445	1280 x 1555
Adjacent Entry	1280 x 1445	1390 x 1555

An integrated ramp can be fitted.

### Bespoke Option






We can create a Steplift that is bespoke to your needs. We will assist with site requirements and advise on regulations and legislation (e.g. platform sizes, control requirements etc). We will ensure that your lift not only performs exactly as you want, but also looks exactly how you need it to.

## ➤ Technical Specifications

Location	Internal or External environments
Usage	Public or domestic use by ambulant and wheelchair users
Maximum passengers	Wheelchair user plus attendant (lower gate required)
Lift Safe Working Load	280kg
Platform Sizes (w) x (l)	800 x 1400mm   900 x 1400mm   1100 x 1400mm
Design & Manufacturing Standard	BS 6440:2011; Machinery Directive 2006/42/EC

*The comprehensive ranges from Pollock Lifts ...*

	 Public Access	 At Home	 Service & Goods
1m Steplift Classic	✓	✓	
1m Steplift Executive	✓	✓	
Independence Steplift 2m/3m	✓	✓	
Incline Platform Lift	✓	✓	
Passenger Lift	✓		
Vertical Platform Lift	✓		
Through Floor Lift		✓	
Residential Elevator		✓	
Residential Stair Lift		✓	
Service Lift			✓
Goods Lift			✓
Dumb Waiter			✓

Explore all our models at [pollocklifts.co.uk](https://www.pollocklifts.co.uk)

## ➤ Get in touch for more information:

1 Sloefield Drive | Trooperslane Industrial Estate | Carrickfergus | Co. Antrim | BT38 8GX | N.Ireland  
 T 028 9336 8167 | E [info@pollocklifts.co.uk](mailto:info@pollocklifts.co.uk) | [www.pollocklifts.co.uk](https://www.pollocklifts.co.uk)